

ONO SOKKI

Measurement Microphone

MI-1631

Random Response Microphone Capsule



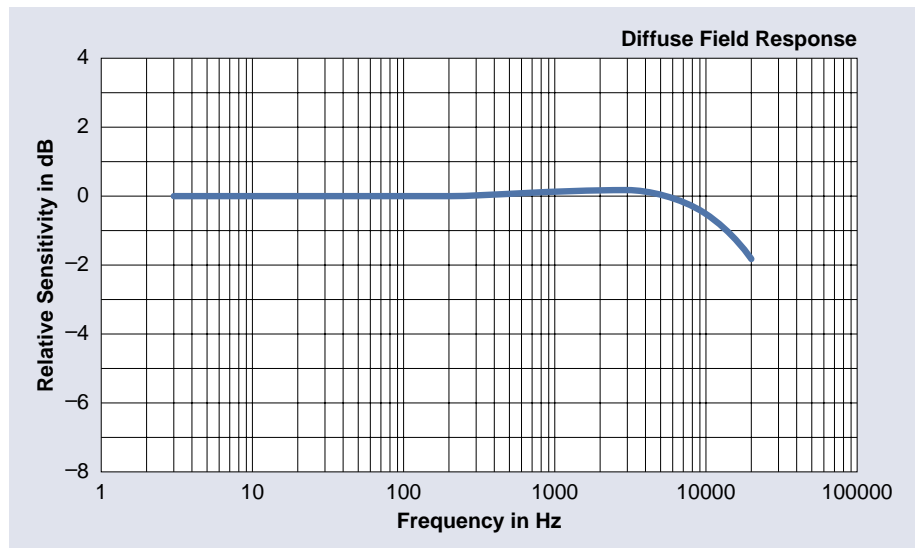
ANSI APPLICABLE

ANSI APPLICABLE

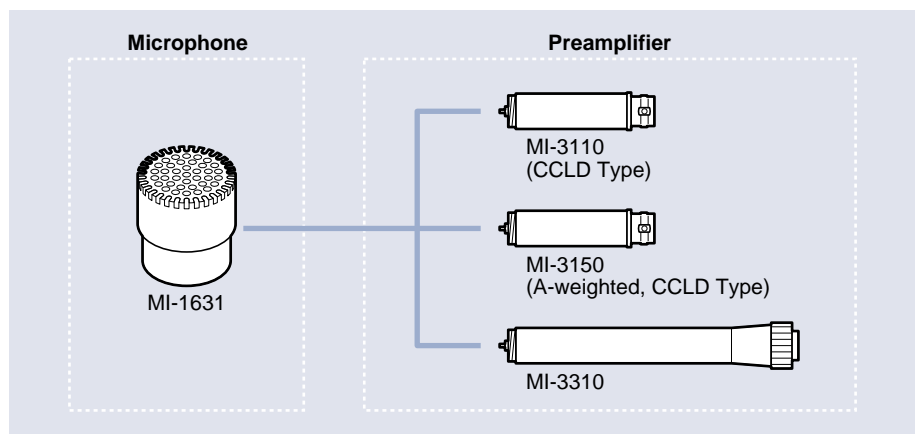
Specifications

Frequency range	20Hz to 20kHz
Response type	Random
Electrode forming voltage	0V
Sensitivity	-36±3dBV / Pa
Capacitance	11.8±0.5pF
Maximum sound pressure level	145dB
Intrinsic noise level	20dB (A) max.
Operating temperature range	-10 to +50°C
Operating humidity range	30 to 90% RH (with no condensation)
Temperature characteristics	0.01dB / °C max.
Humidity characteristics	0.005dB / % RH
Aging drift	0.2dB / year max.
Storage temperature range	-20 to +60°C
Storage humidity range	10 to 90% RH (with no condensation)
Outer dimensions	13.2mm dia. × 12.9mm
Weight	5g

Diffuse Field Response



Connection Diagram



ONO SOKKI

U.S.A. & CANADA
 Ono Sokki Technology Inc.
 2171 Executive Drive, Suite 400
 Addison, IL. 60101
 U.S.A.
 Phone : 630-627-9700
 Fax : 630-627-0004

EUROPE
 Ono Sokki Mess-und
 Kontrollsysteme GmbH
 Im Vogelsang 1, D-71101 Schoenaich
 Germany
 Phone : 07031-630203
 Fax : 07031-654249

*Outer appearance and specifications are subject to change without prior notice.
HOME PAGE: <http://www.onosokki.co.jp/English/english.htm>

P.R.CHINA
 Ono Sokki Beijing Office
 Beijing Jing Guang Center 3510
 Hu Jia Lou, Chao Yang Qu
 Beijing P.R.C. 100020
 Phone : 010-6597-3113
 Fax : 010-6597-3114

WORLDWIDE
 Ono Sokki Co., Ltd.
 1-16-1 Hakusan, Midori-ku,
 Yokohama 226-8507, Japan
 Phone : 045-935-3976
 Fax : 045-930-1906
 E-mail : overseas@onosokki.co.jp